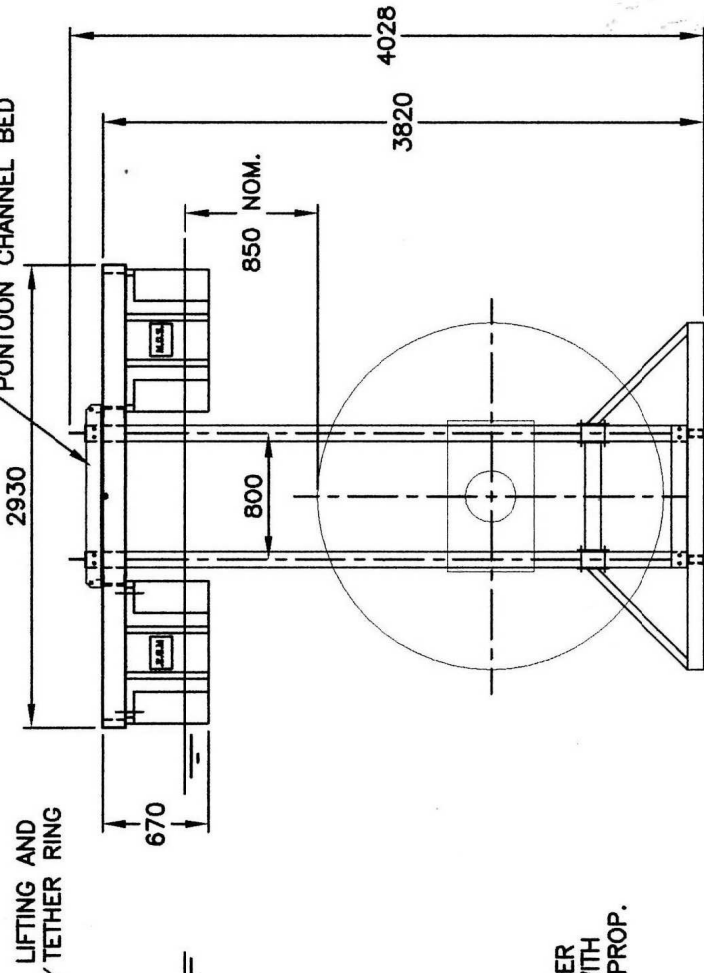


NOTE:  
 ALL PONTOON STRUCTURE IS FULLY WELDED WITH A NOMINAL FILLET OF 5mm.  
 ALUMINIUM FILLER WIRE IS 5356.  
 ALL ALUMINIUM EXTRUSIONS ARE 6063-T5 OR EQUIVALENT.  
 ALL PONTOON SUBFRAME IS 316SS.  
 ALL FASTENERS ARE 316SS  
 ALUMINIUM AND STAINLESS ARE SEPERATED WITH 3MM INSERTION RUBBER ON THE SUBFRAME AND NYLON SEPERATORS ON THE FASTENERS  
 FLOTATION MODULES ARE MARINE DOCK SYSTEMS POLYETHYLENE 900L WITH CLOSED CELL POLYURETHANE

SUBFRAME MOUNT, 100x100x6 ANGLE 316SS BOLTED TO PONTOON CHANNEL BED



SCALE	N.T.S.	DWG	<b>A4-3203</b>	SO
DRAWN	B.J.M	REV	A	27.2.06
DATE	27.2.06	CHK		APP'D