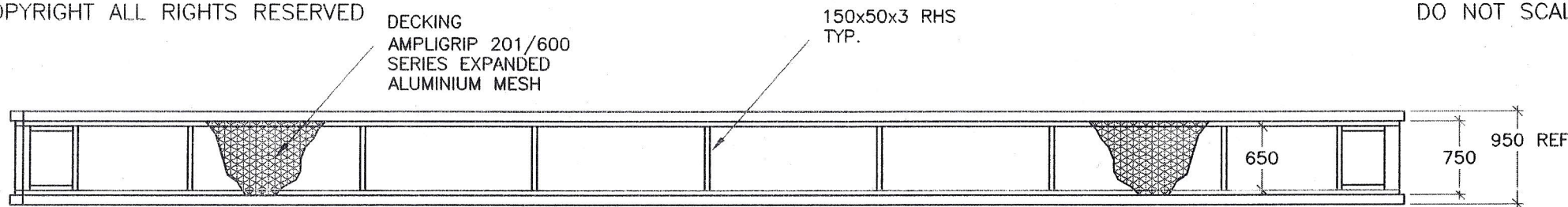
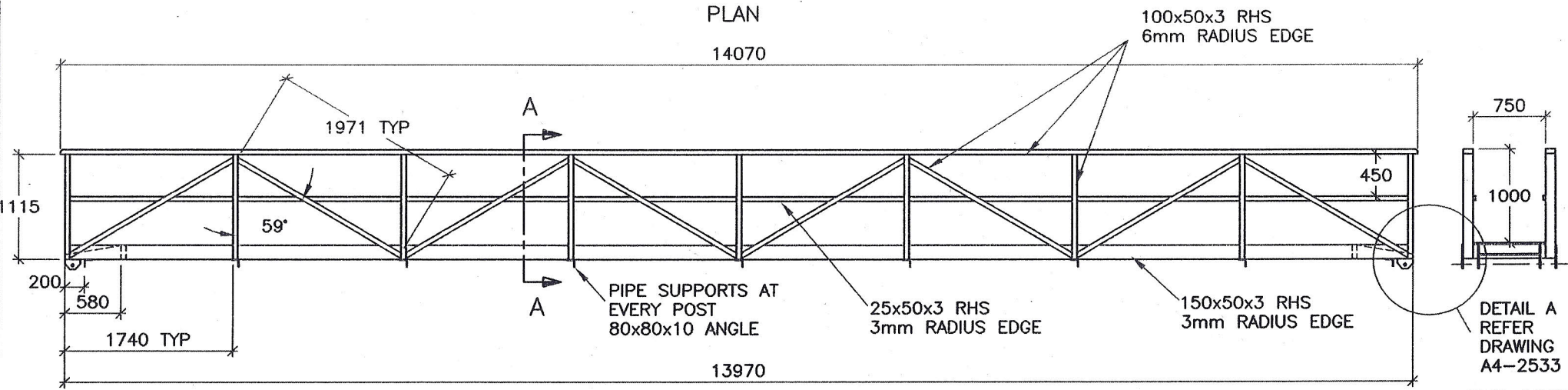


COPYRIGHT ALL RIGHTS RESERVED

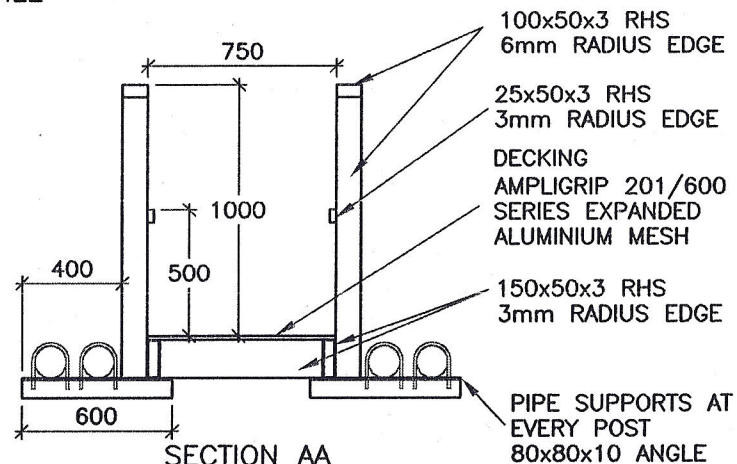
DO NOT SCALE



PLAN



PROFILE




SECTION AA

END VIEW

NOTE:  
 -ALL STRUCTURE IS FULLY WELDED WITH A NOMINAL FILLET OF 5mm  
 -ALL EXTRUSIONS ARE OF GRADE 6063-T5 OR EQUIVALENT.  
 -FILLER ALLOY IS GRADE 5356  
 -ALL FASTENERS ARE CORROSION RESISTANT STAINLESS STEEL.

GANGWAY WEIGHT-450kg APPROX.

<b>MARINE DOCK SYSTEMS PTY LTD</b>	DAIRY FARMERS BOMADERRY	PONTOON GANGWAY DETAIL		SCALE	N.T.S.	DWG	<b>A4-2532</b>	
				DRAWN	JPM	REV	A	24,01,01
				DATE	24,1,01	CHK		APP'D