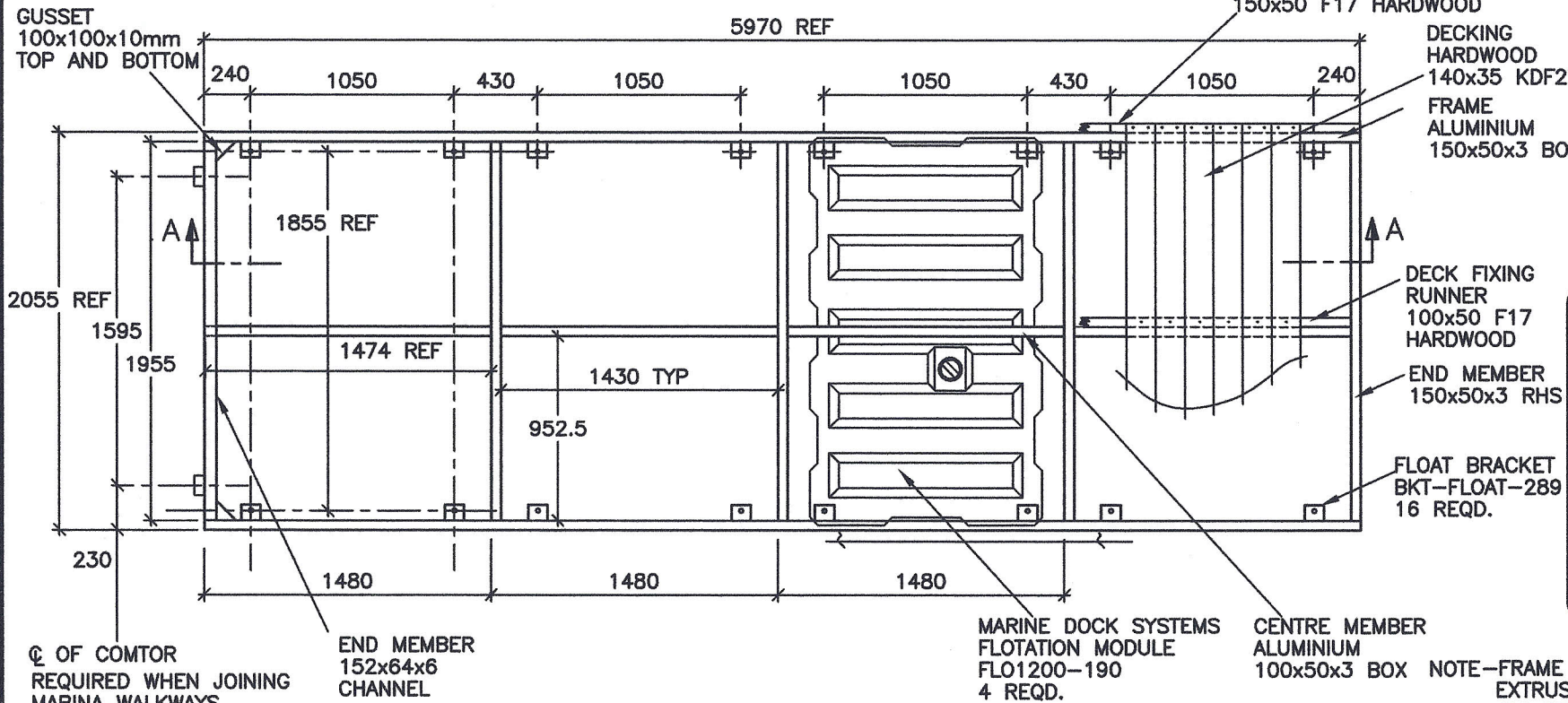


COPYRIGHT ALL RIGHTS RESERVED

DO NOT SCALE

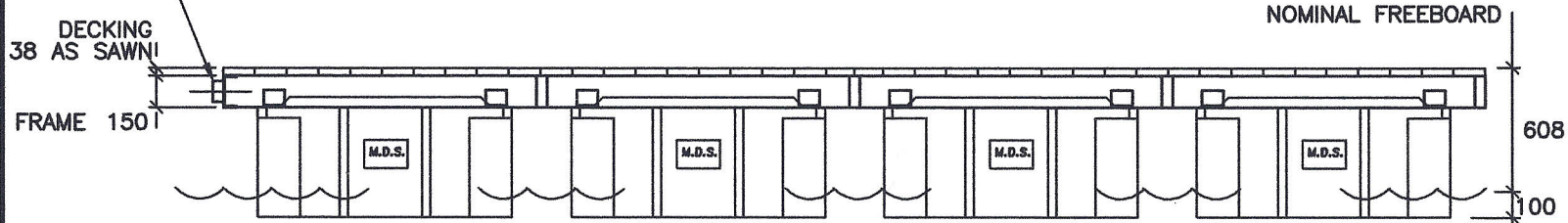


FOR ADDITIONAL ASSEMBLY DETAILS, REFER TO THE FOLLOWING DRAWINGS.
 FLOAT AND DECK- A4-1503
 COMTOR- A4-1877

FASTENERS REQUIRED.

PART No.	ITEM	QTY. REQD.
737	3/8" BOLTx3 1/2"	16
370	3/8" BOLTx4"	12
742	3/8" BOLTx4-1/2"	12
372	1" WASHER	48
296	1 1/2" WASHER	32
371	3/8" NYLOC NUT	40
729	DECK SCREW	210
731	BUFFER SCREW	42

PLAN VIEW



SECTION AA

DECK AREA 12.86m²
 APPROX. WEIGHT 925kg

- NOTE-FRAME IS FULLY WELDED ALUMINIUM EXTRUSION OF GRADE 6063-T5.
 -ALL WELDS ARE A NOMINAL FILLET OF 5mm. FILLER IS GRADE 5356.
 -ALL TIMBER IS TO BE TREATED WITH A SUITABLE PRESERVATIVE. (DECKING OIL, ETC)
 -ALL FASTENERS ARE CORROSION RESISTANT STAINLESS STEEL.
 -ALL EXPOSED BOLTS ARE TO BE RECESSED INTO THE TIMBER BY COUNTER BORING.
 -ALL BOLT THREADS ARE TO BE TREATED WITH ANTI-SIEZE OR EQUIVALENT LUBRICATING COMPOUND PRIOR TO FASTENING.
 -THIS DRAWING IS FOR A PONTOON OF TYPICAL DESIGN. ENGINEERING EVALUATION SHOULD BE PERFORMED FOR THE PONTOONS SUITABILITY FOR EACH PARTICULAR INSTALLATION.

**MARINE DOCK SYSTEMS
 PTY LTD**

6.0mx2.1m WALKWAY
 4x 1200L FLOATS

PONTOON -2174
 WALKWAY SECTION



SCALE	N.T.S.	DRAWING No.	
DRAWN	J.P.M	A4-2174	
DATE	19,3,99	REV	A